
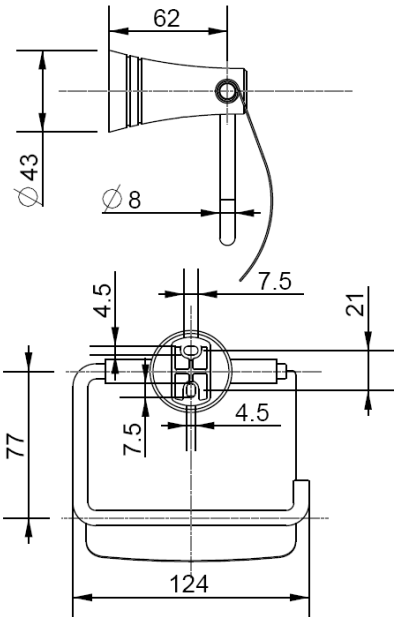




PROJECT		REF		REV	ITEM CODE	
LOCATION		DATE			PAGE	

SANITARY WARE SPECIFICATION SHEET

<p>Item Descriptions</p> <p>Dimensions</p> <p>Model</p> <p>Finish</p> <p>Manufacturer</p> <p>Source</p> <p>Contact Tel/Fax</p> <p>E-mail</p> <p>Website</p>	<p>American Standard (PRC) "Seva" Chrome plated tissue holder</p> <p>Refer to drawing</p> <p>CF-6586.908.50</p> <p>Chrome Plated</p> <p>American Standard (PRC)</p> <p>Acme Sanitary Ware Co. Ltd Mr. Eric Wong/ Mr. Don Yuen</p> <p>(852) 2388-7171 / (852) 2710-8012</p> <p>acme@acmesanitary.com.hk</p> <p>www.acmesanitary.com.hk</p>	<p align="center">Illustration/ Drawing</p>  
---	---	--

Note: Same product but different country of origins:-
 WF-6586.908.50 (PRC) or CF-6586.908.50 (PRC)
 K-6586-43-N (Korea)
 FFAS6586-908500BF0 / FFAS6586-908500BC0

* All information of the above is for the reference only. No prior notice is made if any changes.